

AERODROME OBSTACLE CHART-ICAO

TYPE A (OPERATING LIMITATIONS)

UMNUGOBI/Tavan tolgoi (ZMTT)

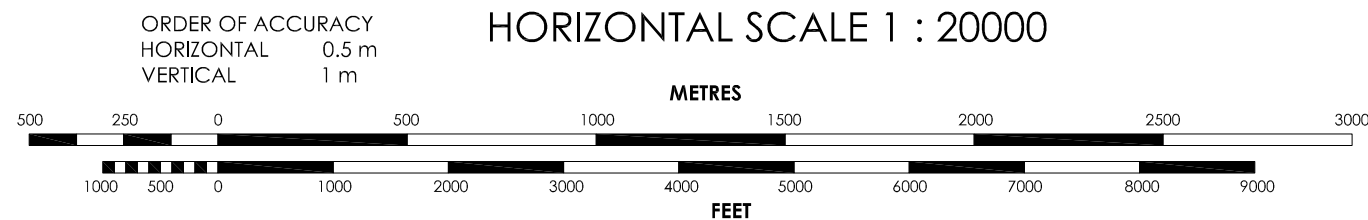
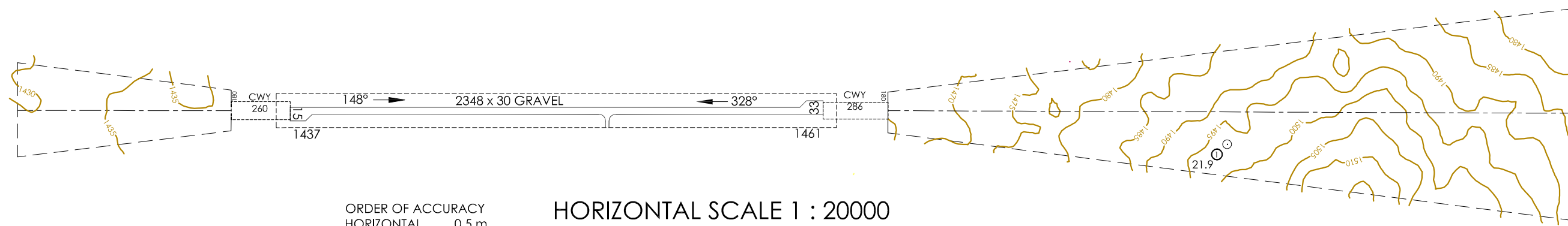
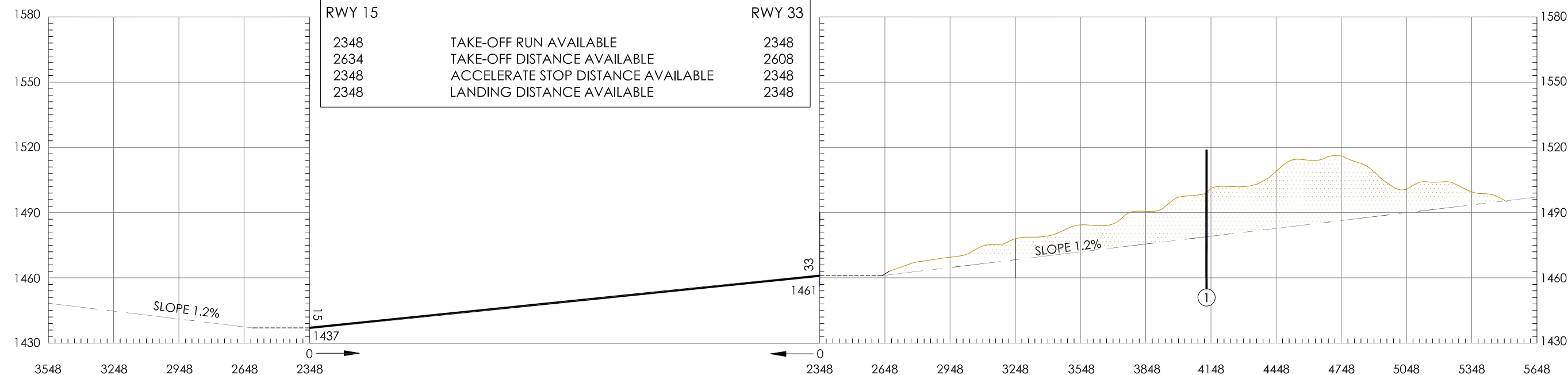
RWY 15/33

DIMENSIONS AND ELEV IN METRES

MAG VAR 4°W - 2020

RWY 15/33

DECLARED DISTANCES		
RWY 15		RWY 33
2348	TAKE-OFF RUN AVAILABLE	2348
2634	TAKE-OFF DISTANCE AVAILABLE	2608
2348	ACCELERATE STOP DISTANCE AVAILABLE	2348
2348	LANDING DISTANCE AVAILABLE	2348



AMENDMENT RECORD		
NR.	DATE	ENTERED BY

OBSTACLE				
NR.	COORDINATES (WGS84)	ELEV	ITEM	NOTE
1	43°45'04.7"N 105°35'55.5"E	1519.0 m	Pole	ID:ZMTTAREA2-57
2				
3				

LEGEND	
IDENTIFICATION NUMBER	⊙
POLE, TOWER, ANTENNA, STACK, ETC	⊙
TERRAIN CONTOUR	—1500—
TERRAIN PENETRATING OBSTACLE PLANE	—
FENCE	- - - - -
CWY	- - - - -

CHANGE: Length of RWY and declared DIST changed.